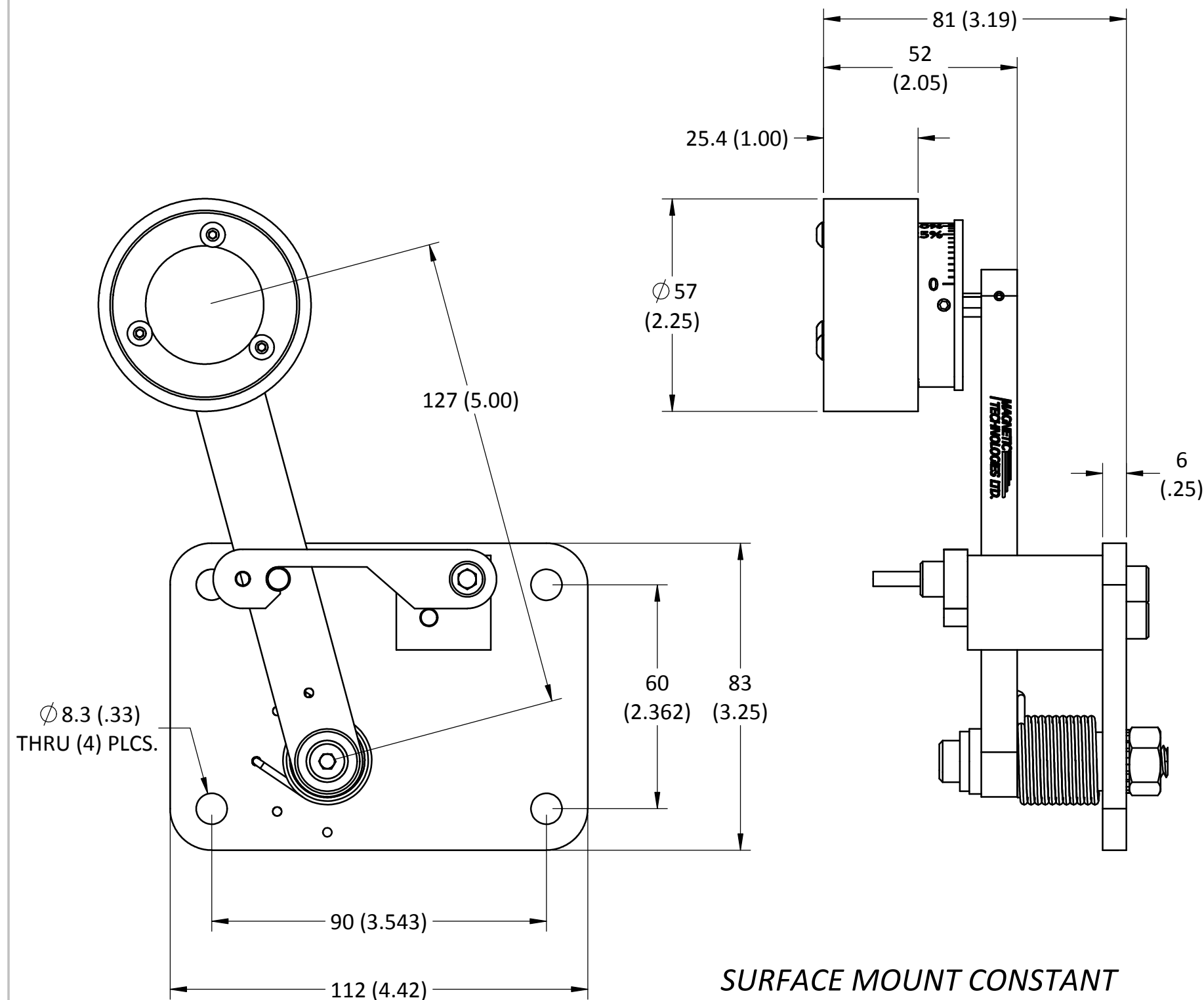


MODEL	TENSION RANGE	HEAT DISSIPATION	WEIGHT	
651-006R	.13 - 4.9 N	.03 - 1.11 lb	13 Watts	1.2 kg / 2.6 lbs

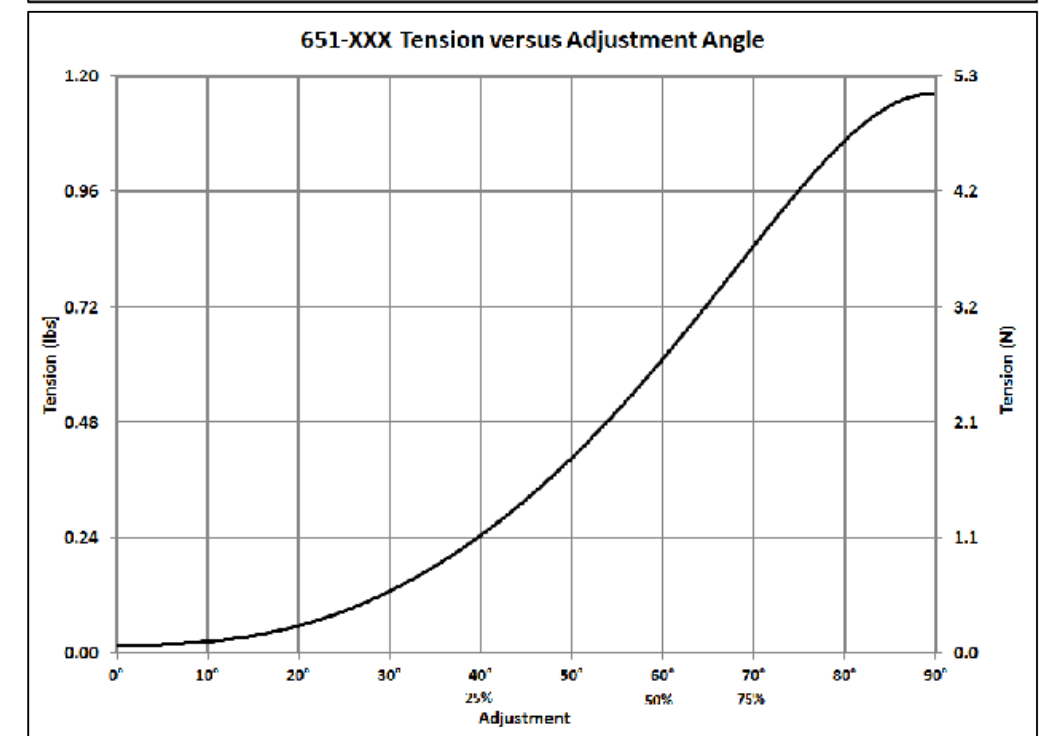
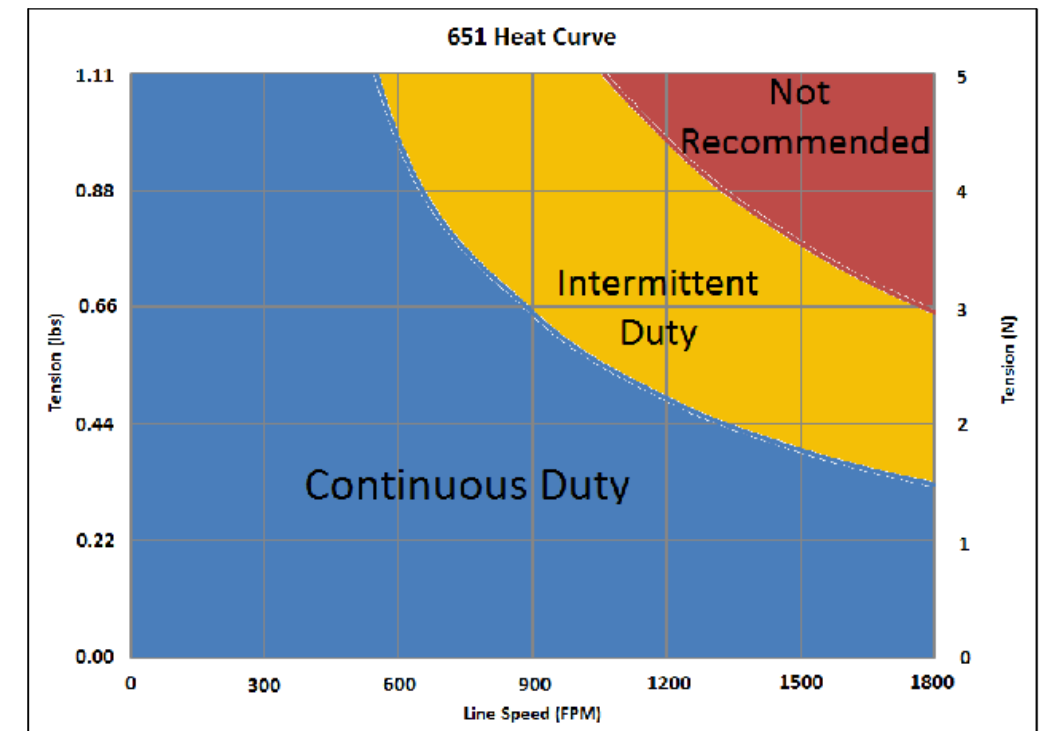
REVISIONS			
REV.	ECN.	DESCRIPTION	DATE



SURFACE MOUNT CONSTANT TENSION BRAKE ASSEMBLY

ALSO AVAILABLE IN LEFT HAND CONFIGURATION

THIS DRAWING IS THE PROPERTY OF MAGNETIC TECHNOLOGIES LTD. AND IS SUPPLIED ON THE EXPRESS CONDITION THAT IT SHALL NOT BE LENT, COPIED, REPRODUCED NO DISCLOSED TO ANY OTHER PERSON, IN WHOLE OR IN PART WITHOUT THE WRITTEN CONSENT OF MAGNETIC TECHNOLOGIES LTD.



USED ON 651	SCALE 3:4	MATERIAL SEE PRT DWG	
UNLESS OTHERWISE SPECIFIED:		FINISH SEE PRT DWG	
ALL DIMENSIONS ARE IN INCHES TOLERANCES: DECIMAL: .XX ± .01 .XXX ± .005 ANGULAR: ± 1° GEN. CONCENTRICITY: .001 T.I.R. MACH. FILLETS: .010 R MACH. EDGES: .015 R OR CHMF. UNSPECIFIED RADII: .015 R IN MICROINCHES RMS 32 GEOMETRIC: TO MIL-ST'D. 8 REMOVE ALL BURRS & SHARP EDGES		DRAWN AMD 4/2/13	43 TOWN FOREST ROAD OXFORD, MA 01540 DESCRIPTION 651-006R Cut Sheet
		CHECKED	DWG. NO. 651-006R
		SIZE: B	REV.